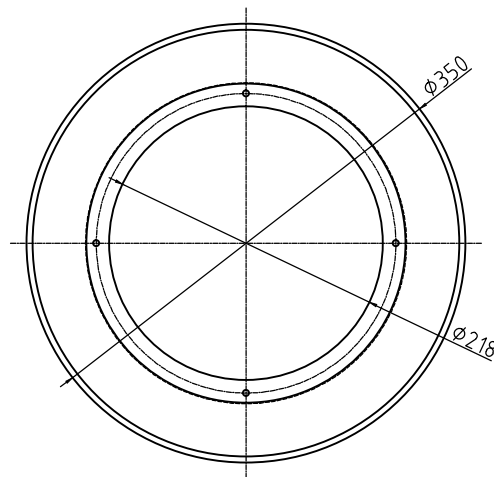
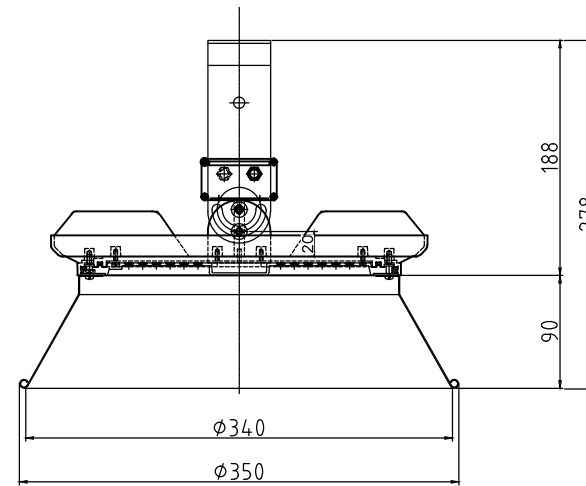
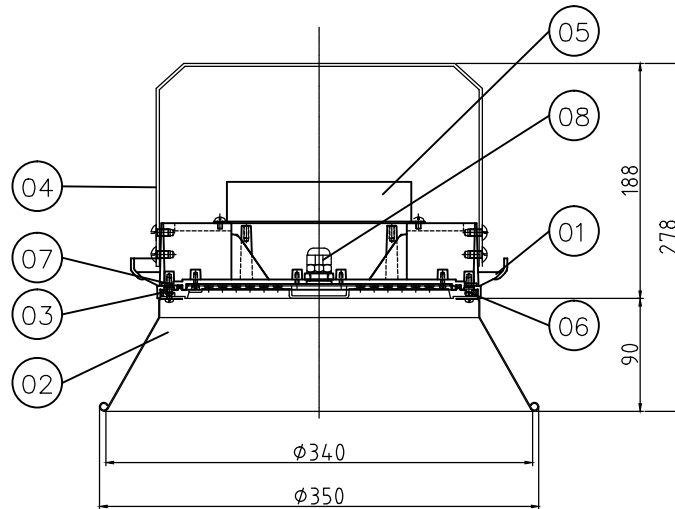
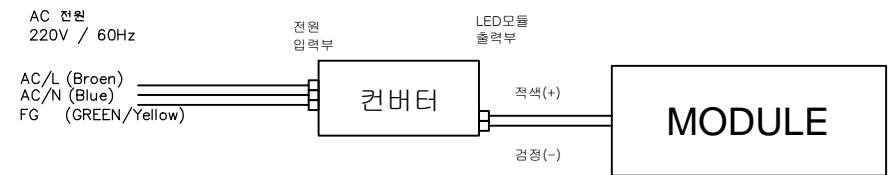


NO	NAME OF PLATE	Material	Q'TY	REMARK
01	Body Case	ALDC12	1	
02	Reflector	SPCC	1	
03	Lens	PC	1	
04	Bracket	SPCC	1	
05	Converter	AL	1	
06	LED Module Pcb	AL Metal-1.5T	1	2835Pkg
07	Packing Seal	SILICONE	1	
08	Cable Gland	PG9	1	



결선도



Specifications		
Model NO	FFA35D10057-01	FFA35D15057-01
Power Consumption	100 W	150 W
Input Voltage	220 V	
Input Current	0.5 A	0.7 A
Total Luminous Flux	11,500 lm	17,250 lm
Color Temperature	5,700 K	
Beam Angle	50°	
Weight	3.4 Kg	

PROJECT TITLE			
TITLE		LED HIGH BAY LIGHT ASS'Y	
DATE		2020. 08. 10	
MODEL NO		FFA35D10057-01 FFA35D15057-01	
SCALE		1/2	
DSND BY:	DRAWN BY:	CHKD BY:	APRVD BY:
이광석	박재활		
D.W.G. NO.		REVISION.	
FLT-FA35D-01-001A		00	

