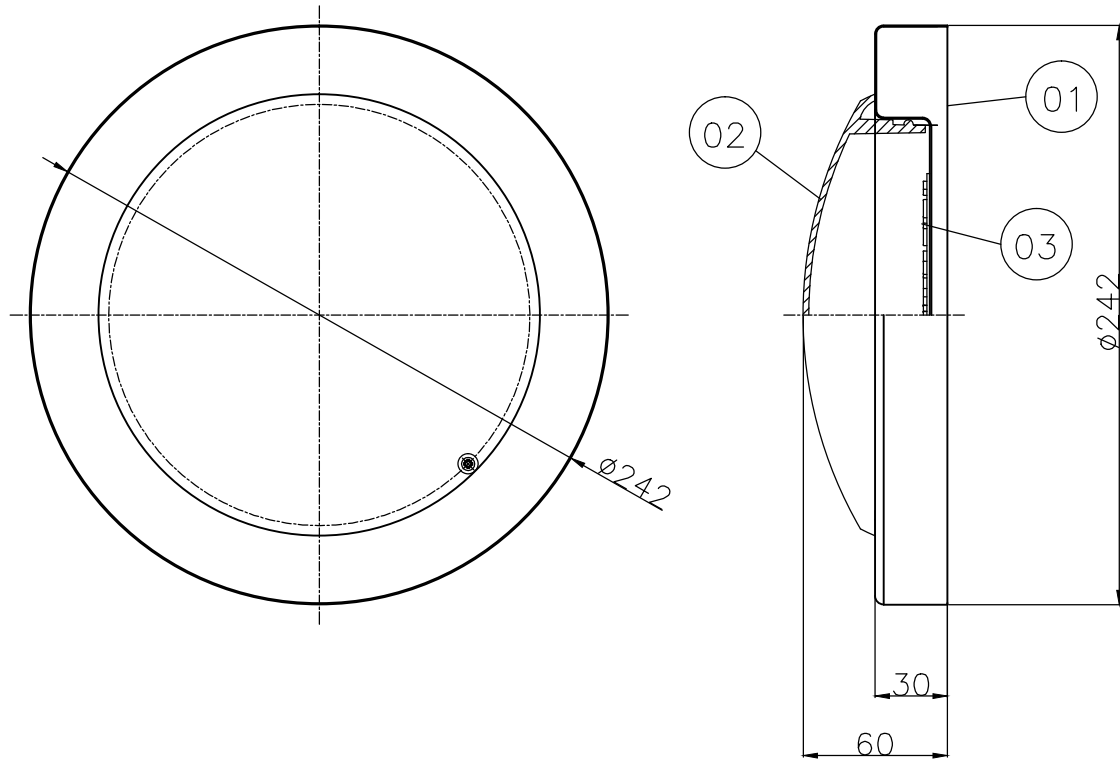



NO	NAME OF PLATE	Material	Q'TY	REMARK
01	Body Case	SPCC	1	
02	Diffusion Cover	PS	1	
03	LED Module	METAL-1.5T	1	



Specifications		
Power Consumption	12 W	15 W
Input Voltage	220 V	
Input Current	0.05 A	0.07 A
Total Luminous Flux	1,260 lm	1,575 lm
Color Temperature	5,700K	
Weight	0.6 Kg	

PROJECT TITLE			
TITLE	LED CIRCLE LIGHT ASS'Y	DATE	2020. 01. 20
MODEL NO	FSM24R1257-04A FSM24R1557-04A	SCALE	1/3
DSND BY:	DRAWN BY:	CHKD BY:	APRVD BY:
Jang Hyeonseok		Park Jaehwal	
		D.W.G. NO.	REVISION.
		FLT-M24R-1204A-001	00