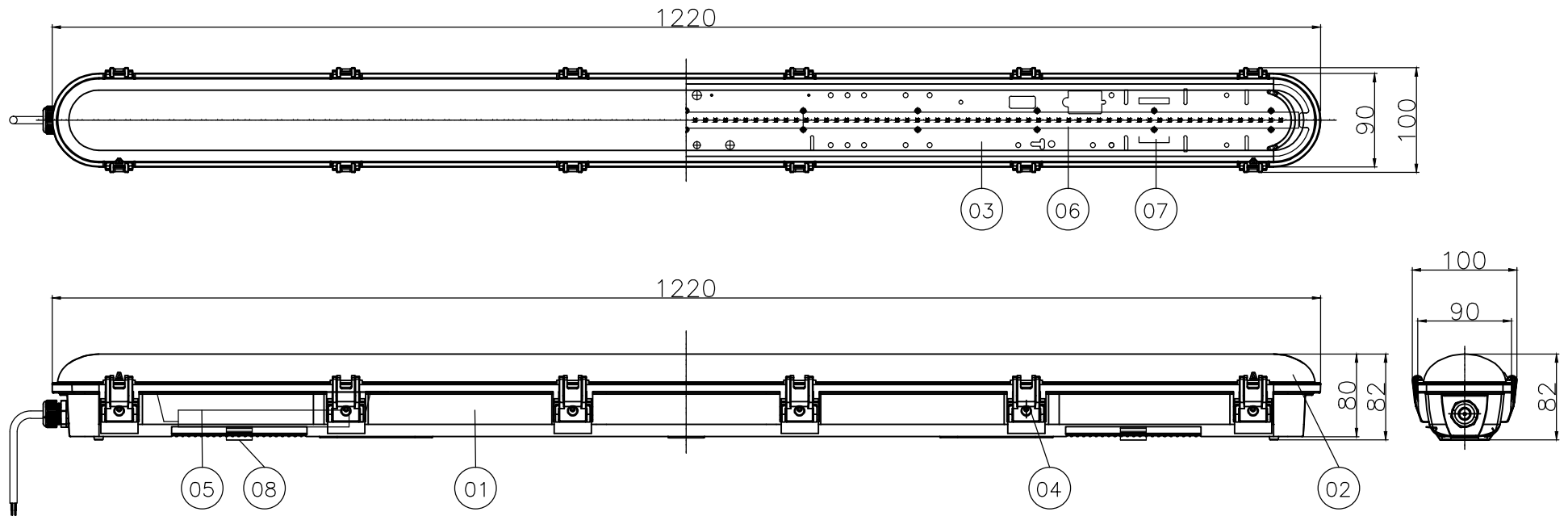


NO	NAME OF PLATE	Material	Q'TY	REMARK
01	Housing	PC	1	
02	Diffusion Cover	PC	1	
03	PCB Base Frame	AL	1	
04	Clip	SUS201	12	
05	Converter	SPCC	1	
06	LED Module	FR4-1T	1	
07	Clip	SUS201	2	
08	Mounting Bracket	SUS304	2	



Specifications	
Power Consumption	40 W
Input Voltage	220 V
Input Current	0.19 A
Total Luminous Flux	4,400 lm
Color Temperature	5,700 K
Weight	1.7 Kg

PROJECT TITLE			
TITLE		LED DEHUMIDIFICATION LIGHT PARTS (CLIP TYPE : 40W)	
DATE		2020. 09. 02	
MODEL NO		FDP12D4057-S-01	
SCALE		1/1	
DSND BY:	DRAWN BY:	CHKD BY:	APRVD BY:
Lee Kwangseok		Park Jaehwal	
D.W.G. NO.		REVISION.	
FLT-DP12D40-S-001		00	

