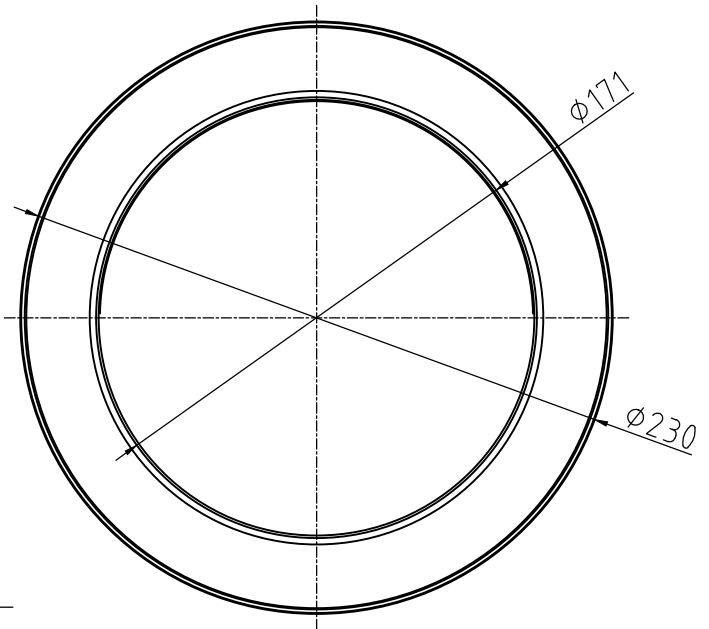
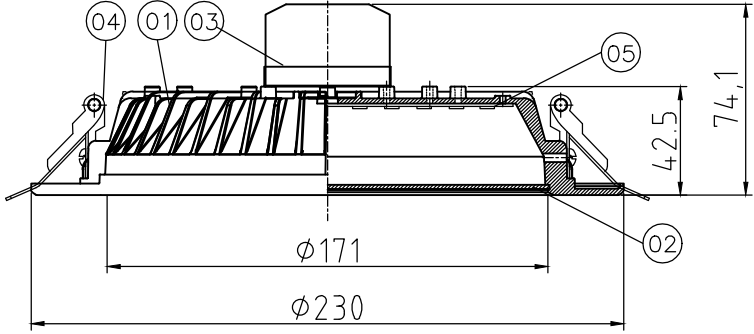
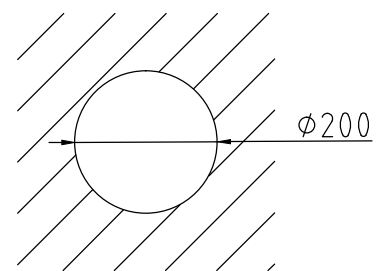




NO	NAME OF PLATE	Material	Q'TY	REMARK
01	Body Case	AL	1	
02	Diffusion Cover	PC	1	
03	Converter	SPCC	1	
04	Hinge Bracket	SK5	2	
05	LED Module	FR4-1.2T	1	



-Perforation Size-



Specifications		
Power Consumption	30 W	40 W
Input Voltage	220 V	
Input Current	0.14 A	0.19 A
Total Luminous Flux	3,300 lm	4,400 lm
Color Temperature	5,700 K	
Weight	0.7 Kg	

PROJECT TITLE			
TITLE	8inch Down Light Ass'y	DATE	2020. 09. 02
MODEL NO	FDL08F3057-S-01 FDL08F4057-S-01	SCALE	1/1
DSND BY:	DRAWN BY:	CHKD BY:	APRVD BY:
Lee Kwangseok		Park Jaehwal	
		D.W.G. NO.	REVISION.
		FLT-DL08-S01-001A	00