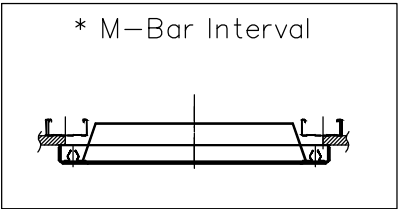
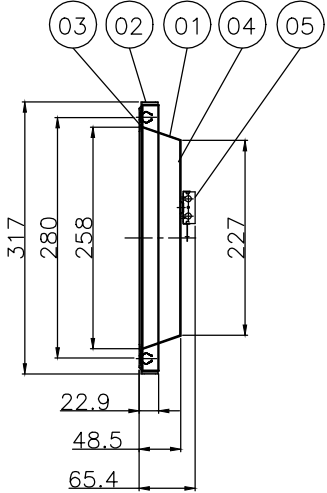
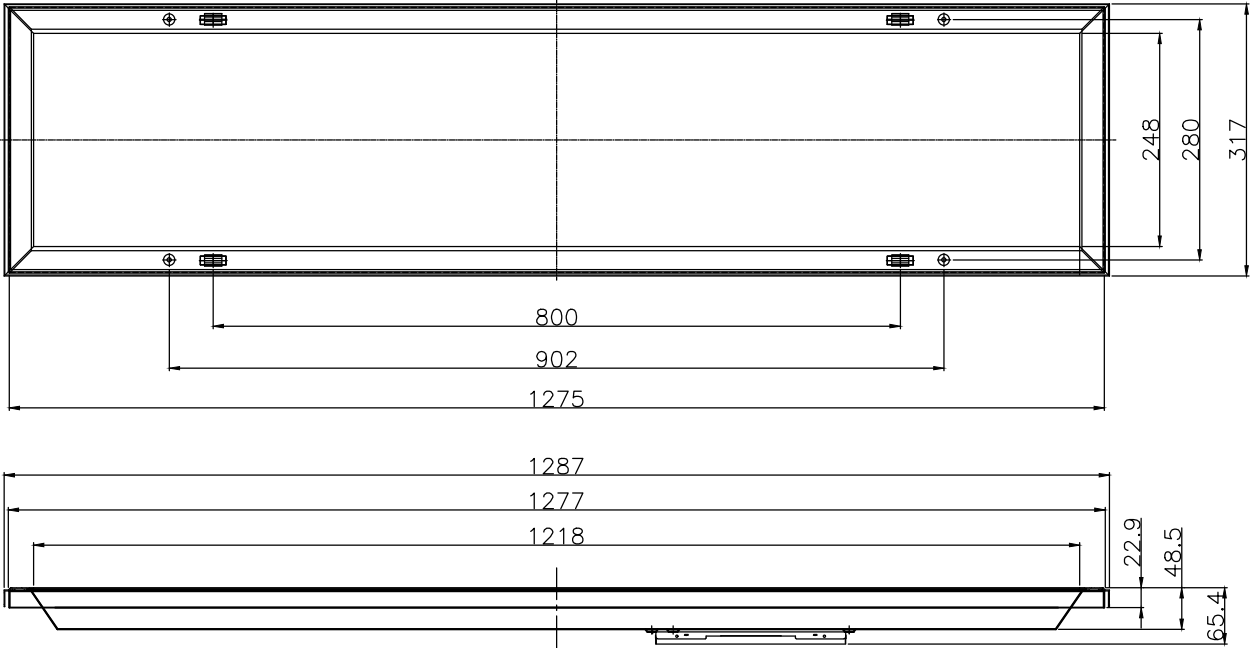


NO	NAME OF PLATE	Material	Q'TY	REMARK
01	Body Frame	SPCC	1	
02	AL Cover	A6063-T5	1	
03	Diffusion Plate	PS	1	
04	LED Module	CEM1-1.0T	1	
05	Converter	SPCC	1	



Specifications	
Power Consumption	50 W
Input Voltage	220 V
Input Current	0.22 A
Total Luminous Flux	5,500 lm
Color Temperature	5,700 K
Weight	4.0 Kg

PROJECT TITLE			
TITLE 평판 매립등 M-BAR ASS'Y (317 x 1287)		DATE 2020. 09. 02	
MODEL NO FFD32M5057-SF-01		SCALE 1/3	
DSND BY: 이광석	DRAWN BY:	CHKD BY: 박재환	APRVD BY:
D.W.G. NO. FLT-32M50-SF01- 001A		REVISION. 00	

