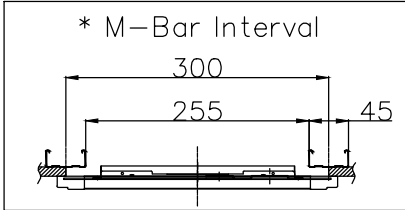
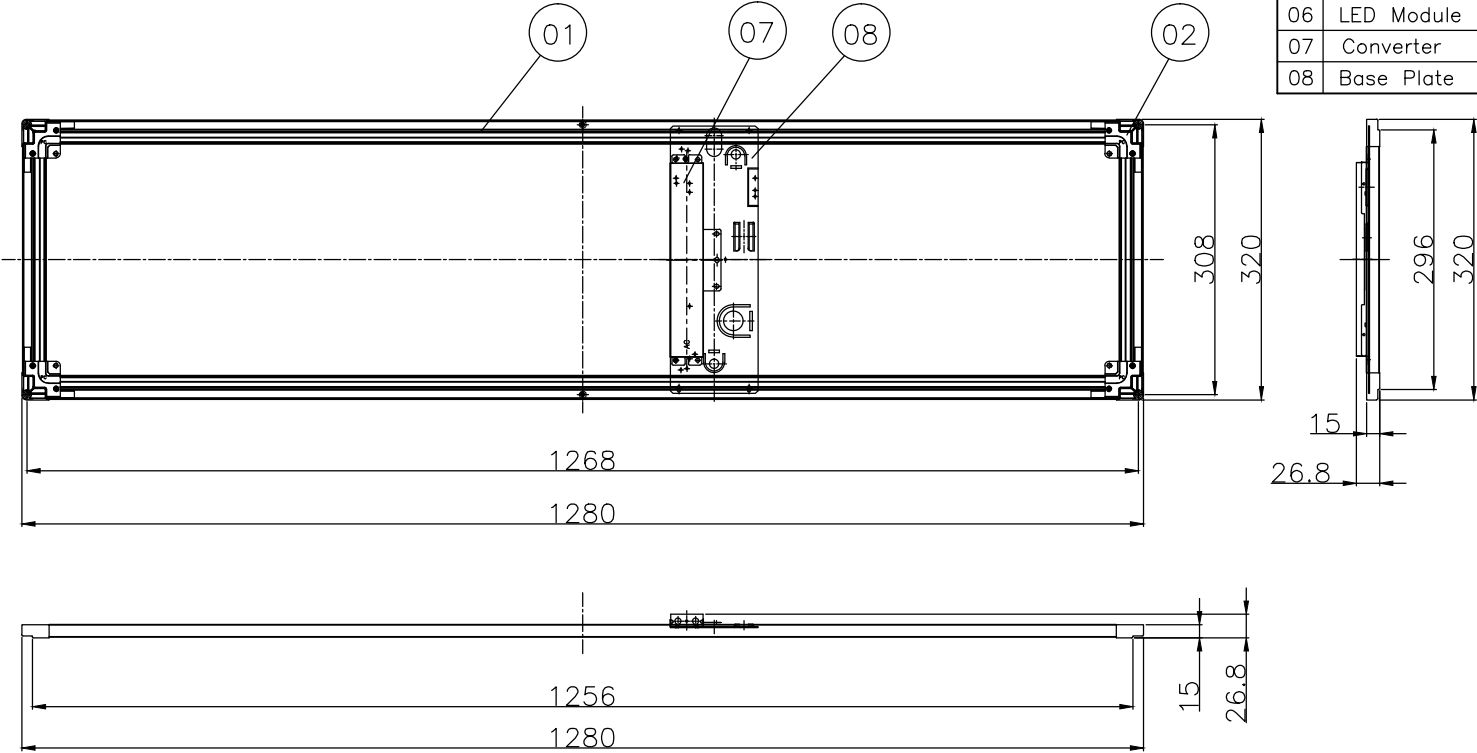


NO	NAME OF PLATE	Material	Q'TY	REMARK
01	Body Frame	A6063-T5	4	
02	Joint Cap	PC	4	
03	Diffusion Plate	PS	1	
04	Light Guide Plate	PMMA	1	
05	AL/Sheet Reflect	AL/PC	1	
06	LED Module	FR4-1.0T	1	
07	Converter	SPCC	1	
08	Base Plate	A1050	1	



Specifications		
Power Consumption	40 W	50 W
Input Voltage	220 V	
Input Current	0.18 A	0.22 A
Total Luminous Flux	4,400 lm	5,500 lm
Color Temperature	5,700 K	
Weight	3.1 Kg	

PROJECT TITLE			
TITLE	LED FLAT PANEL LIGHT ASS'Y (EDGE TYPE : 320x1280 M-BAR)	DATE	2020. 09. 16
MODEL NO	FFE32M4057-SF-01 FFE32M5057-SF-01	SCALE	1/3
DSND BY: Lee Kwangseok	DRAWN BY:	CHKD BY: Park Jaehwal	APRVD BY:
D.W.G. NO. FLT-FFE32M450SF-001A		REVISION. 00	

