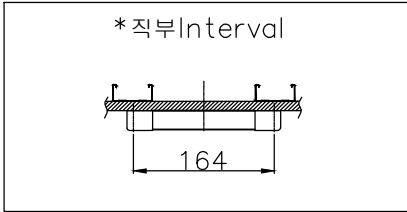
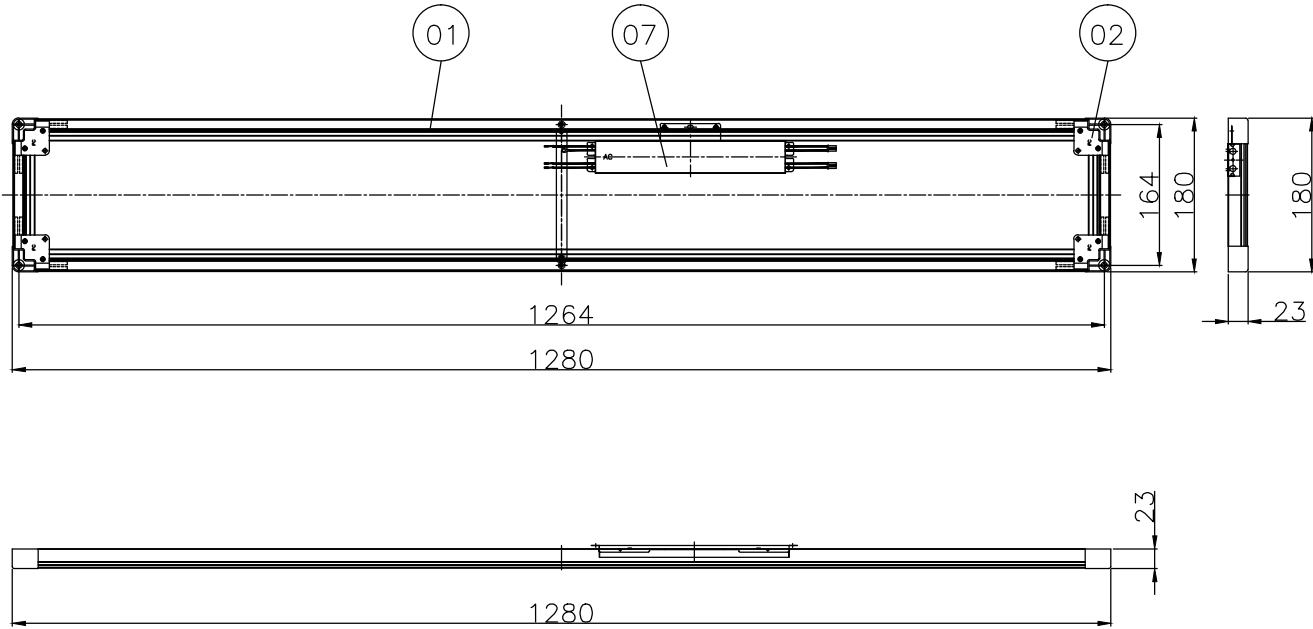


NO	NAME OF PLATE	Material	Q'TY	REMARK
01	Body Frame	A6063-T5	4	
02	Joint Cap	PC	4	
03	Diffusion Plate	PS	1	
04	Light Guide Plate	PMMA	1	
05	AL/Sheet Reflect	AL/PC	1	
06	LED Module	FR4-1.2T	1	
07	Converter	SPCC	1	



Specifications	
Power Consumption	40 W
Input Voltage	220 V
Input Current	0.18 A
Total Luminous Flux	4,400 lm
Color Temperature	5,700 K
Weight	2.2 Kg

PROJECT TITLE			
TITLE LED FLAT PANEL LIGHT ASS'Y (EDGE TYPE: 180x1280-엣지직부 23mm)		DATE 2020. 09. 10	
MODEL NO FFE82D4057-SF-01		SCALE 1/3	
DSND BY: Lee kwangseok	DRAWN BY: Park Jaehwal	CHKD BY:	APRVD BY:
D.W.G. NO. FLT-FFE82D405F-001A		REVISION. 00	

