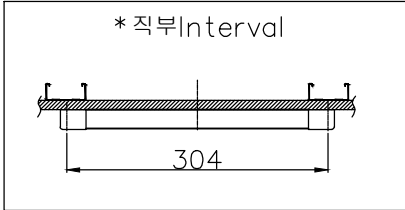
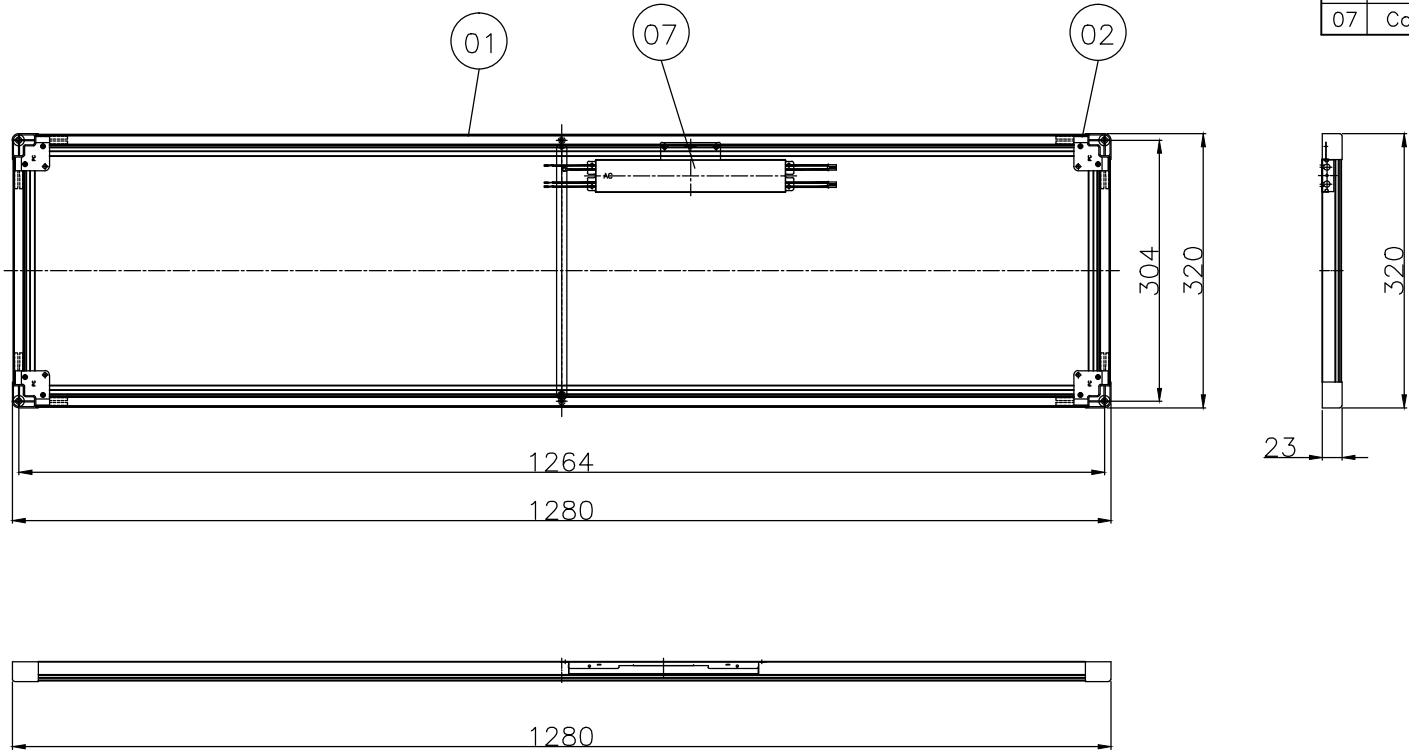


NO	NAME OF PLATE	Material	Q'TY	REMARK
01	Body Frame	A6063-T5	4	
02	Joint Cap	PC	4	
03	Diffusion Plate	PS	1	
04	Light Guide Plate	PMMA	1	
05	AL/Sheet Reflect	AL/PC	1	
06	LED Module	FR4-1.0T	2	
07	Converter	SPCC	1	



Specifications		
Power Consumption	40 W	50 W
Input Voltage	220 V	
Input Current	0.18 A	0.22 A
Total Luminous Flux	4,400 lm	5,500 lm
Color Temperature	5,700 K	
Weight	3.5 Kg	

PROJECT TITLE			
TITLE LED FLAT PANEL LIGHT ASS'Y (EDGE TYPE : 320x1280-엣지직부 23mm)		DATE 2020. 09. 11	
MODEL NO FFE32D4057-SF-01 FFE32D5057-SF-01		SCALE 1/3	
DSND BY: Lee Kwangseok	DRAWN BY:	CHKD BY: Park Jaehwal	APRVD BY:
D.W.G. NO. FLT-FFE32D450SF-001A		REVISION. 00	

